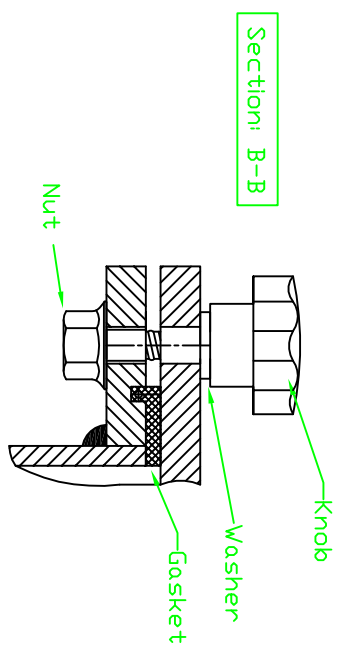
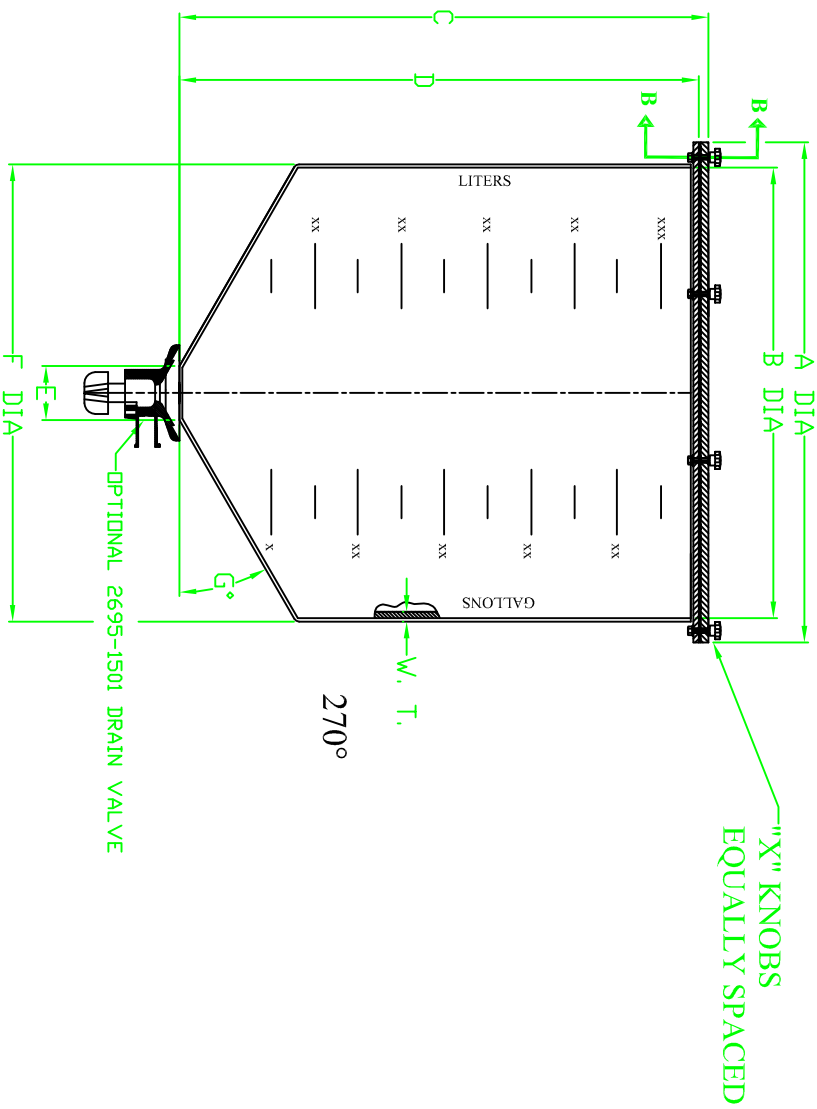


MATERIALS					
TANK	COVER	KNOBS	WASHER	GASKET	NUT
PVDF	PVDF	PHENOLIC W/3/16 SS THREAD	316 SS	SILICONE	316 SS



Note:  
This is not a production drawing, but is for informational purposes only,  
and is subject to change without notice.  
All dimensions are nominal and in inches and / or millimeter as noted

SIZE CODE	0030	0050
SIZE (NOM VOL L/GAL)	30L / 8 GAL	50L / 13 GAL
NOM. BRIM CAP. (L)	33	55
X # OF KNOBS/DEG SPACING	10 / 36°	12 / 30°
A (FLANGE & COVER OD)	IN	IN
B (TANK ID)	17.5	21.9
C (TANK HGT. W/COVER)	13.1	17.4
D (TANK HGT. W/O COVER)	19.4	19.6
E (BOTTOM FLAT)	18.8	19
F (TANK OD)	3	76
PP W.T. (NOMINAL WALL THK.)	13.5	17.9
G° (ANGLE)	0.093	0.093
	30°	30°

SIZE CODE	0100	0200
SIZE (NOM VOL L/GAL)	100L / 26.4 GAL	200L / 52.8 GAL
NOM. BRIM CAP. (L)	110L	220
X # OF KNOBS/DEG SPACING	12 / 30°	16 / 22.5°
A (FLANGE & COVER OD)	IN	IN
B (TANK ID)	26.1	63
C (TANK HGT. W/COVER)	21.6	54.9
D (TANK HGT. W/O COVER)	41.6	105.7
E (BOTTOM FLAT)	41	104.1
F (TANK OD)	5	127
PP W.T. (NOMINAL WALL THK.)	22.1	561
G° (ANGLE)	0.093	2.36
	30°	30°

SIZE CODE	0500	0800
SIZE (NOM VOL L/GAL)	500L / 125 GAL	800L / 211.34GAL
NOM. BRIM CAP. (L)	570	880
X # OF KNOBS/DEG SPACING	24 / 15°	28 / 12.86°
A (FLANGE & COVER OD)	IN	MM
B (TANK ID)	36	914
C (TANK HGT. W/COVER)	31.4	798
D (TANK HGT. W/O COVER)	51.7	1313
E (BOTTOM FLAT)	50.8	1290
F (TANK OD)	5	127
PP W.T. (NOMINAL WALL THK.)	32	813
G° (ANGLE)	0.25	6.35
	30°	30°

**SAINT-GOBAIN PERFORMANCE PLASTICS**

460 Milltown Road, Bridgewater, NJ 08807  
TEL: (908) 218-8888 FAX (908) 218-9009

**SAINT-GOBAIN PERFORMANCE PLASTICS**

THIS DRAWING IS THE PROPERTY OF SAINT-GOBAIN PERFORMANCE PLASTICS AND IS LOANED UPON CONSENT THAT IT IS NOT TO BE REPRODUCED OR COPIED IN WHOLE OR IN PART FOR FURNISHING INFORMATION TO ANY PERSON OR COMPANY WITHOUT THE PRIOR WRITTEN CONSENT OF THE CORPORATION OR FOR ANY PURPOSE DETRIMENTAL TO THE CORPORATION'S INTEREST AND SHALL BE RETURNED UPON REQUEST.

**DESCRIPTION**  
Sanitary Conical Bottom Process Tanks

MATERIAL	TOLERANCES (except as noted)	DRAWN
2691-PVDF		F. Hoque
SCALE	Full	CHECKED
DATE	10-19-01	REVISION
DRAWING NUMBER	2691 - SERIES (PVDF)	REV. DATE