

DATA SHEET FOR bio-m[®] MAGNETIC AGITATOR TYPE BMR 550

TYPICALLY USED FOR:

Waterlike liquids up to a viscosity of 250 mPas (above please speak to zeta)
Homogenization, improving of heat transfer, dissolution of solids
(other tasks please speak to zeta)
Depending on the task, for vessel contents between 500 l and 1600 l

TECHNICAL DATA OF THE AGITATOR

DRIVE SYSTEM:

Worm geared motor, with 3 PLC, for operation under frequency control (not included)

3 x 230/400 V, 50 Hz, IP 55, Iso F, not Ex-proof

Motor power: 0,37 kW

Speed at 50 Hz: 399 rpm VFD speed range: 50 - 530 rpm

MAGNETIC COUPLING:

The torque is transmitted through the hermetically sealed containment shell by means of permanent magnets. The agitator head runs on ceramic bushes made from SiC vs ZrO₂. The open design and the big gap between containment shell and agitator head make sure that CIP cleaning is perfect (Qualification documents available)

DIMENSIONS:

Magnetic impeller, \varnothing d2:	175 mm
Weld plate \varnothing a1:	105 mm
Height H approx.:	242 mm
incl. Intermediate flange	(70 mm)
Length L approx. :	270 mm

M O C, PRODUCT WETTED:

1.4435, ground to Ra < 0,8 μ m, e-polished

O-Rings: EPDM, FDA-conforming

FURTHER REMARKS:

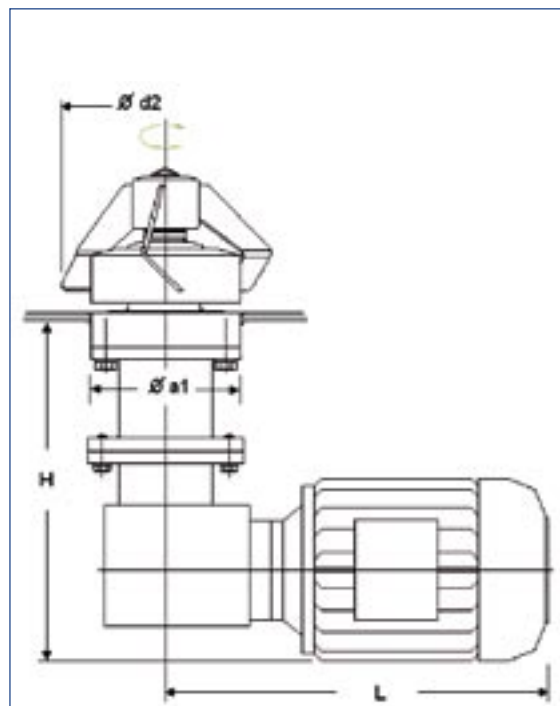
Painting, to zeta standard: RAL 5015 blue

Weight approx.: 23 kg

OPTIONEN:

- speed sensor (signal processing by others)
- explosion proof design (ATEX)
- without intermediate flange
- different impeller types
- design for bio reactors (type bio-m[®] BMR 550 F), with shaft and multistage impeller system

PRINCIPLE DRAWING *



*) CAD as dwg- or dxf-file available (in case of purchase order)

