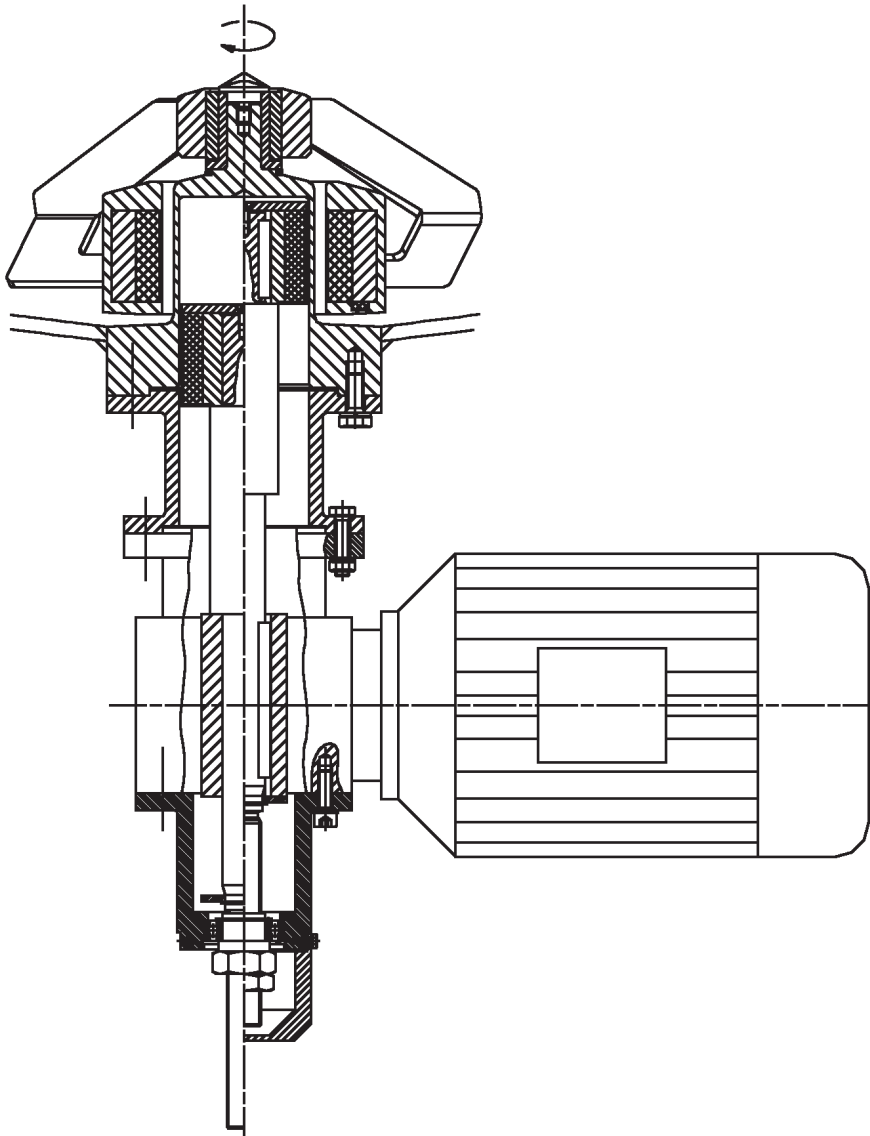


## CUSTOMER INFORMATION

### LOWERING DEVICE FOR bio-m<sup>®</sup> MAGNETIC AGITATORS with a Torque > 25 Nm

To lower the magnetic rotor,  
for mounting or maintenance purposes: Easy and safe mounting of the  
magnetic impeller, no removal of the drive necessary



LEFT: LOWERED POSITION

RIGHT: DURING OPERATION

