



# Pure Fit™ SC

TRUE Sterile Connections...  
*Outside the Clean Room*™

# Pure-Fit™ SC

Patent Pending

Introducing connective technology that makes completely sterile connections possible *outside* the clean room environment.

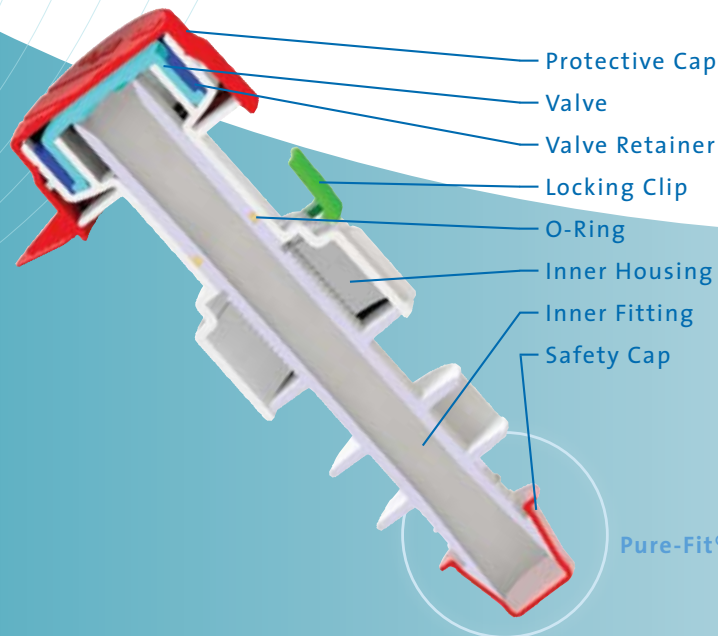
## BENEFITS

- › Silicone valve design is easy to assemble — leaves no gaps or residue, eliminating problems associated with other systems
- › Use of Pure-Fit® SIB® patented technology on barb connections ensures a completely smooth inner bore flow path
- › Available in three common sizes (1/4", 3/8", 1/2") that are fully interchangeable for step-down requirements
- › All components made of fully characterized, animal-free materials
- › Triple-redundant locking mechanism simplifies validation, virtually eliminating chances of operator error
- › Easy-to-see visual indicators confirm proper engagement
- › Can be sterilized via gamma irradiation or autoclaving

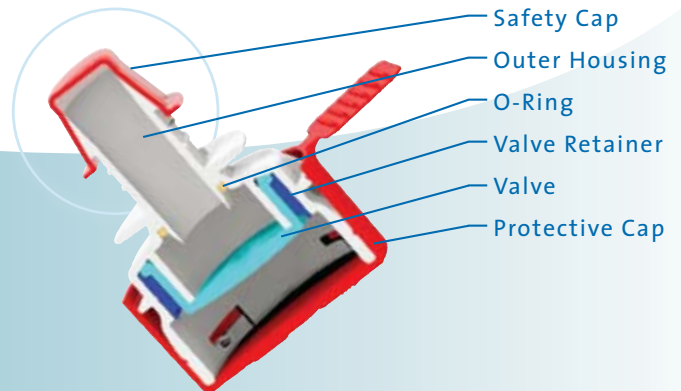


Inner Housing Assembly

Outer Housing Assembly



Pure-Fit® SIB®  
Connective Technology



Pure-Fit® SIB® Connective Technology

## Pure-Fit® SC Selection Guide

Part Number	Configuration	Hose Barb inches (mm)	Length inches (mm)	Width inches (mm)	Quantity
PFSC250-CA	Complete Assembly Set	1/4 (6.35)	5.72 (145.29)	1.58 (40.13)	1 set per box
PFSC250-IH	Inner Housing	1/4 (6.35)	4.23 (107.44)	1.48 (37.59)	25 per box
PFSC250-OH	Outer Housing	1/4 (6.35)	2.00 (50.80)	1.58 (40.13)	25 per box
PFSC375-CA	Complete Assembly Set	3/8 (9.53)	6.06 (153.92)	1.58 (40.13)	1 set per box
PFSC375-IH	Inner Housing	3/8 (9.53)	4.48 (113.79)	1.58 (40.13)	25 per box
PFSC375-OH	Outer Housing	3/8 (9.53)	2.11 (53.59)	1.58 (40.13)	25 per box
PFSC500-CA	Complete Assembly Set	1/2 (12.70)	6.17 (156.72)	1.65 (41.91)	1 set per box
PFSC500-IH	Inner Housing	1/2 (12.70)	4.56 (115.82)	1.65 (41.91)	25 per box
PFSC500-OH	Outer Housing	1/2 (12.70)	2.14 (54.36)	1.58 (40.13)	25 per box

Note: All parts are supplied double bagged and non-sterile.  
Inner and outer housings are completely interchangeable for step-down requirements.

### Materials of Construction

Inner Housing (a)	PVDF
Outer Housing (a)	PVDF
Inner Fitting	PVDF
Valve	Platinum-Cured Silicone
Valve Retainer	PVDF
O-Ring	Platinum-Cured Silicone
Locking Clip	PVDF
Protective Cap	C-Flex®
Safety Cap	Polypropylene

(a) Fluid Contact Path

Note: All materials of construction are animal derivative-free.

### Operating Conditions

Maximum Operating Pressure	psi (bar)
Series 250 (1/4")	50 (3.45)
Series 375 (3/8")	50 (3.45)
Series 500 (1/2")	50 (3.45)
Operating Temperature F (C)	32 (0) to 104 (40)
Storage Temperature F (C)	-40 (-40) to 77 (171)

### Sterilization Methods

Gamma Irradiation	50 kGy
Autoclave	134C, 60 Minutes

### Typical Flow Rate Data

Series Number	Assembled Connector Length inches (mm)	Typical Maximum Flow Rate (Bi-directional) Gallons (Liters) / Minute
250	5.72 (145.29)	7.41 (28.04)
375	6.06 (153.92)	8.80 (33.32)
500	6.17 (156.72)	10.61 (40.18)

Note: Flow rates were tested under 9 psi of operating pressure.

### Available Pure-Fit® SC Characterization Data

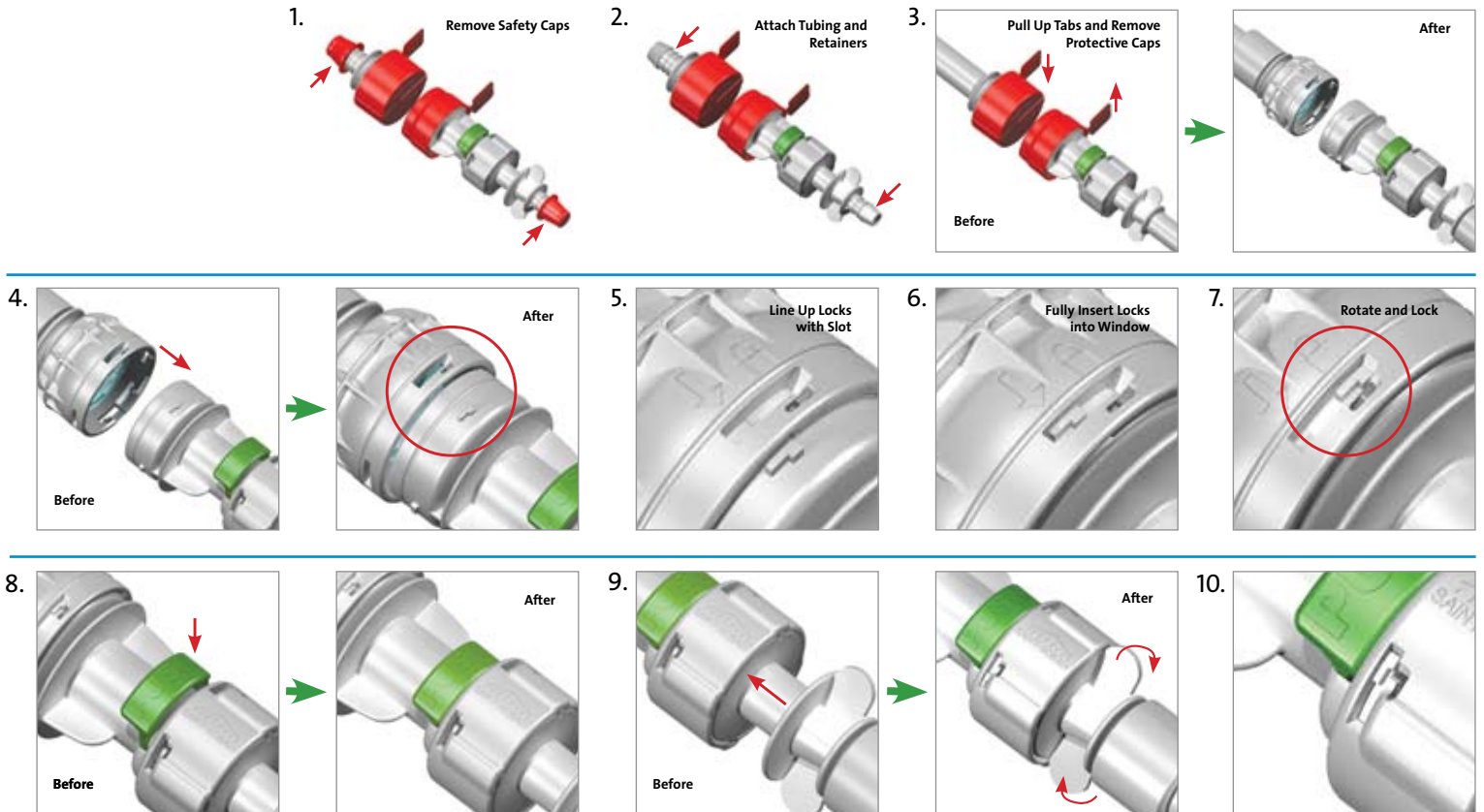
- Biological Test Protocols
- Chemical Test Protocols
- Physical and Functional Test Data
- Microbial Barrier Test Protocols
- Helium Leak Test Data
- Sterilization Test Information

## Assembly Sequence for Pure-Fit® SC Connection

**The assembly starts after the barbed ends have been connected to your product.**

1. Remove the Inner Housing and Outer Housing Safety Caps.
2. Attach the Tubing and Retainers to the Pure-Fit® SIB Barbed ends.
3. Pull up the Tear Tabs, then remove the Protective Caps.
4. Insert the Inner Housing into the Outer Housing; note lock size versus slot size.
5. Rotate the Inner Housing inside the Outer Housing to line up locks.
6. Fully insert Inner Housing locks into locking track window.
7. After insertion, rotate the Inner Housing clockwise in the Outer Housing until it locks.
8. Fully depress the Locking Clip against Inner Housing with your thumb.
9. Push the Inner Fitting into the Inner Housing until it stops.
10. Grasp the end of the Inner Fitting and rotate it clockwise until it locks.

**The sanitary connection is complete and fluid can flow through the connection.**



C-Flex®, S.I.B.® and Pure-Fit® are registered trademarks.

### Saint-Gobain Performance Plastics

3910 Terry-Diane Street  
 Beaverton, MI 48612  
 Tel: (888) 387-0067  
 Tel: (989) 435-9533  
 Fax: (989) 435-2355



**IMPORTANT:** It is the user's responsibility to ensure the suitability and safety of Saint-Gobain Performance Plastics tubing for all intended uses. Laboratory and clinical tests must be conducted in accordance with applicable regulatory requirements in order to determine the safety and effectiveness for use of tubing in any particular application.

For a period of 6 months from the date of first sale, Saint-Gobain Performance Plastics Corporation warrants this product to be free from defects in materials and workmanship. Our only obligation will be to replace any portion proving defective, or at our option, to refund the purchase price thereof. User assumes all other risk, if any, including the risk of injury, loss or damage, direct or consequential, arising out of the use, misuse, or inability to use, this product. THIS WARRANTY IS IN LIEU OF THE WARRANTIES OF MERCHANTABILITY, FITNESS FOR PARTICULAR PURPOSE, AND ALL OTHER WARRANTIES, EXPRESSED OR IMPLIED. No deviation is authorized.

Saint-Gobain Performance Plastics Corporation assumes no obligations or liability for any advice furnished by it, or for results obtained with respect to those products. All such advice is given and accepted at the buyer's risk.